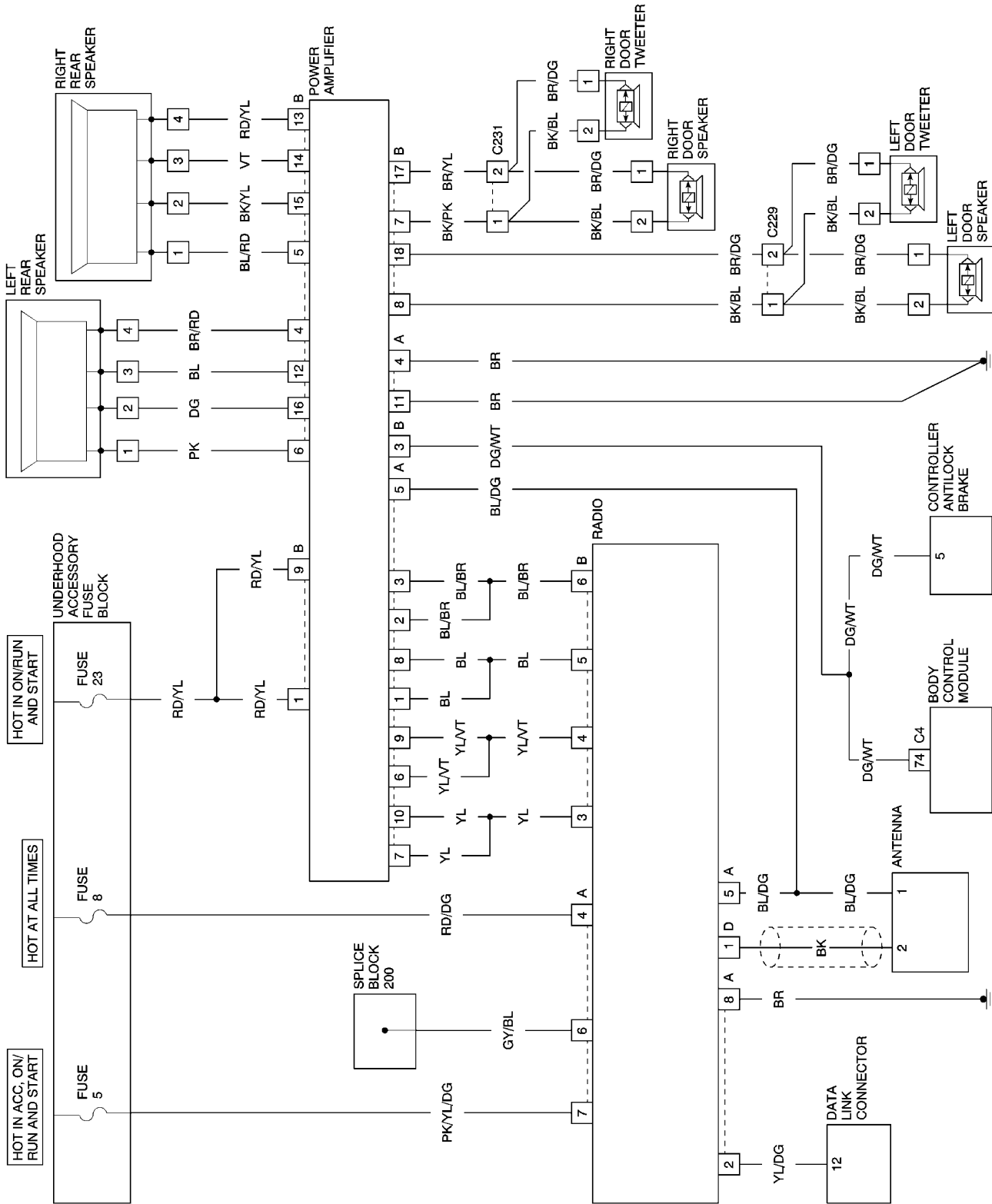


**SCHEMATICS AND DIAGRAMS**



8110abd9

**AUDIO SYSTEM CIRCUIT DIAGRAM**